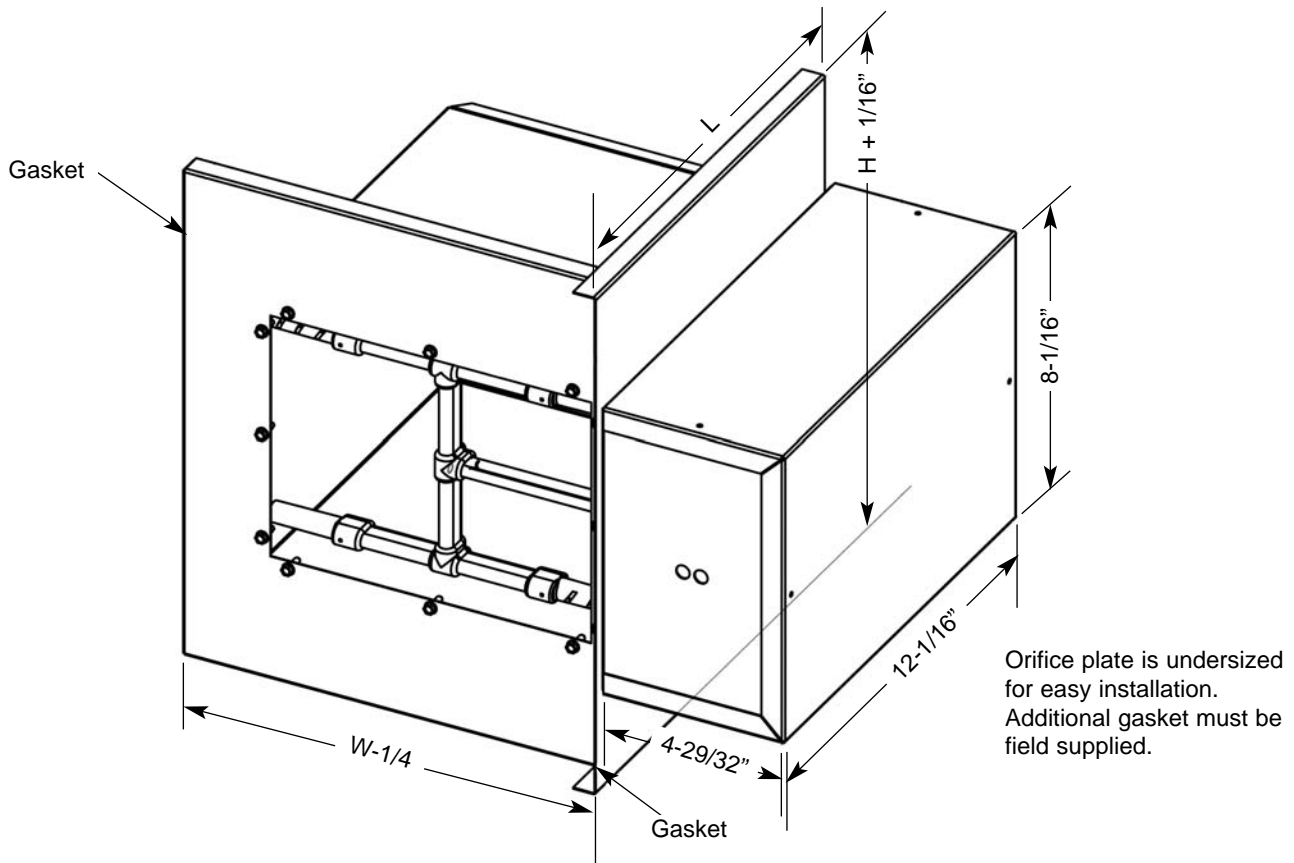


Imperial [IP] Dimensions

CARNES COMPANY 448 S. Main St., P. O. Box 930040, Verona, WI 53593-0040 Phone: (608)845-6411 Fax: (608)845-6504 www.carnes.com



Orifice plate is undersized for easy installation. Additional gasket must be field supplied.

Unit Damper Size	CFM Range	Width	Height	Length
A (5x5)	0-200	5,6,8,10,12	5	12
		6,8,10,12	6	
		6,8,10,12	8	
B (6x6)	150-300	6,8,10,12,14	6	12
		8,10,12,14	8	
		8,10,12,14	10	
C (8x6)	20-400	8,10,12,14,16	6	12
		8,10,12,14,16	8	
		8,10,12,14,16	10	
D (10x8)	350-700	10,12,14,16,18	8	12
		10,12,14,16,18	10	
		10,12,14,16,18	12	
		10,12,14,16,18	14	
E (14x8)	500-1000	14,16,18,20,22,24	8	12
		14,16,18,20,22,24	10	
		14,16,18,20,22,24	12	
F (18x6)	500-1000	18,20,22,24,26	6	12
		18,20,22,24,26	8	
		18,20,22,24,26	10	
G (12x10)	600-1100	12,14,16,18,20,22	10	12
		12,14,16,18,20,22	12	
		12,14,16,18,20,22	14	
H (18x10)	800-1900	18,20,22,24,26,28,30	10	12
		18,20,22,24,26,28,30	12	
		18,20,22,24,26,28,30	14	

Unit Damper Size	CFM Range	Width	Height	Length
J (18X12)	1000-2400	18,20,22,24,26,28	12	14
		18,20,22,24,26,28	14	
		18,20,22,24,26,28	16	
K (20X14)	1350-3800	20,22,24,26,28,30	14	14
		20,22,24,26,28,30	16	
		20,22,24,26,28,30	18	
L (30X12)	1800-5400	30,32,34,36	12	14
		30,32,34,36	14	
		30,32,34,36	16	
M (22X16)	1750-5400	22,24,26,28,30,32,34,36	16	18
		22,24,26,28,30,32,34,36	18	
		22,24,26,28,30,32,34,36	20	
N (24X18)	2300-6700	24,26,28,30,32,34,36	18	18
		24,26,28,30,32,34,36	20	
		24,26,28,30,32,34,36	24	
		24,26,28,30,32,34,36	26	
P (30X20)	4000-10000	30,32,34,36,38,40,42,44,46	20	19
		30,32,34,36,38,40,42,44,46	24	
		30,32,34,36,38,40,42,44,46	26	
R (40X20)	5000-15000	40,42,44,46,48,50,52	20	19
		40,42,44,46,48,50,52	24	
		40,42,44,46,48,50,52	26	